

## 11 Herstellergewährleistung

- ▶ Bitte wenden Sie sich bei Fragen zu den Gewährleistungsbedingungen an Ihren lokalen **Hilti** Partner.

# Original operating instructions

## 1 Information about the documentation

### 1.1 About this documentation

- Read this documentation before initial operation or use. This is a prerequisite for safe, trouble-free handling and use of the product.
- Observe the safety instructions and warnings in this documentation and on the product.
- Always keep the operating instructions with the product and make sure that the operating instructions are with the product when it is given to other persons.

### 1.2 Explanation of symbols used

#### 1.2.1 Warnings

Warnings alert persons to hazards that occur when handling or using the product. The following signal words are used:



**DANGER !**

- ▶ Draws attention to imminent danger that will lead to serious personal injury or fatality.



**WARNING !**

- ▶ Draws attention to a potential threat of danger that can lead to serious injury or fatality.



**CAUTION !**

- ▶ Draws attention to a potentially dangerous situation that could lead to personal injury or damage to the equipment or other property.

#### 1.2.2 Symbols in the documentation

The following symbols are used in this document:

	Read the operating instructions before use.
	Instructions for use and other useful information
	Dealing with recyclable materials
	Do not dispose of electric equipment and batteries as household waste

#### 1.2.3 Symbols in the illustrations

The following symbols are used in illustrations:

<b>2</b>	These numbers refer to the corresponding illustrations found at the beginning of these operating instructions
3	The numbering reflects the sequence of operations shown in the illustrations and may deviate from the steps described in the text
⑪	Item reference numbers are used in the <b>overview illustrations</b> and refer to the numbers used in the <b>product overview section</b>





This symbol is intended to draw special attention to certain points when handling the product.

### 1.3 Explanation of signs used

#### 1.3.1 Symbols on the product

The following symbols can be used on the product:

	Protection class II (double-insulated)
n	Rated speed
/min	Revolutions per minute
	Alternating current
∅	Diameter
	The product supports wireless data transmission compatible with iOS and Android platforms.

### 1.4 Product information

Hilti products are designed for professional use and may be operated, serviced and maintained only by trained, authorized personnel. This personnel must be specifically informed about the possible hazards. The product and its ancillary equipment can present hazards if used incorrectly by untrained personnel or if used not in accordance with the intended use.

The type designation and serial number are printed on the rating plate.

- ▶ Write down the serial number in the table below. You will be required to state the product details when contacting Hilti Service or your local Hilti organization to inquire about the product.

#### Product information

Slitting tool	DCH 150-SL
Generation	01
Serial no.	

### 1.5 Declaration of conformity

We declare, on our sole responsibility, that the product described here complies with the applicable directives and standards. A copy of the declaration of conformity can be found at the end of this documentation.

The technical documentation is filed here:

Hilti Entwicklungsgesellschaft mbH | Tool Certification | Hiltistrasse 6 | 86916 Kaufering, Germany

## 2 Safety

### 2.1 General power tool safety warnings

**WARNING**

**Read all safety warnings and all instructions.** Failure to follow the warnings and instructions may result in electric shock, fire and/or serious injury.

**Save all warnings and instructions for future reference.**

#### Work area safety

- ▶ **Keep work area clean and well lit.** Cluttered or dark areas invite accidents.
- ▶ **Do not operate power tools in explosive atmospheres, such as in the presence of flammable liquids, gases or dust.** Power tools create sparks which may ignite the dust or fumes.
- ▶ **Keep children and bystanders away while operating a power tool.** Distractions can cause you to lose control.



### Electrical safety

- ▶ **Power tool plugs must match the outlet. Never modify the plug in any way. Do not use any adapter plugs with earthed (grounded) power tools.** Unmodified plugs and matching outlets will reduce risk of electric shock.
- ▶ **Avoid body contact with earthed or grounded surfaces, such as pipes, radiators, ranges and refrigerators.** There is an increased risk of electric shock if your body is earthed or grounded.
- ▶ **Do not expose power tools to rain or wet conditions.** Water entering a power tool will increase the risk of electric shock.
- ▶ **Do not abuse the cord. Never use the cord for carrying, pulling or unplugging the power tool. Keep cord away from heat, oil, sharp edges or moving parts.** Damaged or entangled cords increase the risk of electric shock.
- ▶ **When operating a power tool outdoors, use an extension cord suitable for outdoor use.** Use of a cord suitable for outdoor use reduces the risk of electric shock.
- ▶ **If operating a power tool in a damp location is unavoidable, use a residual current device (RCD) protected supply.** Use of an RCD reduces the risk of electric shock.

### Personal safety

- ▶ **Stay alert, watch what you are doing and use common sense when operating a power tool. Do not use a power tool while you are tired or under the influence of drugs, alcohol or medication.** A moment of inattention while operating power tools may result in serious personal injury.
- ▶ **Use personal protective equipment. Always wear eye protection.** Protective equipment such as dust mask, non-skid safety shoes, hard hat, or hearing protection used for appropriate conditions will reduce personal injuries.
- ▶ **Prevent unintentional starting. Ensure the switch is in the off-position before connecting to power source, picking up or carrying the tool.** Carrying power tools with your finger on the switch or energising power tools that have the switch on invites accidents.
- ▶ **Remove any adjusting key or wrench before turning the power tool on.** A wrench or a key left attached to a rotating part of the power tool may result in personal injury.
- ▶ **Do not overreach. Keep proper footing and balance at all times.** This enables better control of the power tool in unexpected situations.
- ▶ **Dress properly. Do not wear loose clothing or jewellery. Keep your hair, clothing and gloves away from moving parts.** Loose clothes, jewellery or long hair can be caught in moving parts.
- ▶ **If devices are provided for the connection of dust extraction and collection facilities, ensure these are connected and properly used.** Use of dust collection can reduce dust-related hazards.

### Power tool use and care

- ▶ **Do not force the power tool. Use the correct power tool for your application.** The correct power tool will do the job better and safer at the rate for which it was designed.
- ▶ **Do not use the power tool if the switch does not turn it on and off.** Any power tool that cannot be controlled with the switch is dangerous and must be repaired.
- ▶ **Disconnect the plug from the power source from the power tool before making any adjustments, changing accessories, or storing power tools.** Such preventive safety measures reduce the risk of starting the power tool accidentally.
- ▶ **Store idle power tools out of the reach of children and do not allow persons unfamiliar with the power tool or these instructions to operate the power tool.** Power tools are dangerous in the hands of untrained users.
- ▶ **Maintain power tools. Check for misalignment or binding of moving parts, breakage of parts and any other condition that may affect the power tool's operation. If damaged, have the power tool repaired before use.** Many accidents are caused by poorly maintained power tools.
- ▶ **Keep cutting tools sharp and clean.** Properly maintained cutting tools with sharp cutting edges are less likely to bind and are easier to control.
- ▶ **Use the power tool, accessories and tool bits etc. in accordance with these instructions, taking into account the working conditions and the work to be performed.** Use of the power tool for operations different from those intended could result in a hazardous situation.

### Service

- ▶ **Have your power tool serviced by a qualified repair person using only identical replacement parts.** This will ensure that the safety of the power tool is maintained.

## 2.2 Cut-off machine safety warnings

- ▶ **The guard provided with the tool must be securely attached to the power tool and positioned for maximum safety, so the least amount of wheel is exposed towards the operator. Position yourself**



and bystanders away from the plane of the rotating wheel. The guard helps to protect operator from broken wheel fragments and accidental contact with wheel.

- ▶ **Use only bonded reinforced or diamond cut-off wheels for your power tool.** Just because an accessory can be attached to your power tool, it does not assure safe operation.
- ▶ **The rated speed of the accessory must be at least equal to the maximum speed marked on the power tool.** Accessories running faster than their rated speed can break and fly apart.
- ▶ **Wheels must be used only for recommended applications. For example: do not grind with the side of cut-off wheel.** Abrasive cut-off wheels are intended for peripheral grinding, side forces applied to these wheels may cause them to shatter.
- ▶ **Always use undamaged wheel flanges that are of correct diameter for your selected wheel.** Proper wheel flanges support the wheel thus reducing the possibility of wheel breakage.
- ▶ **Do not use worn down reinforced wheels from larger power tools.** Wheels intended for a larger power tool are not suitable for the higher speed of a smaller tool and may burst.
- ▶ **The outside diameter and the thickness of your accessory must be within the capacity rating of your power tool.** Incorrectly sized accessories cannot be adequately guarded or controlled.
- ▶ **The arbour size of wheels and flanges must properly fit the spindle of the power tool.** Wheels and flanges with arbour holes that do not match the mounting hardware of the power tool will run out of balance, vibrate excessively and may cause loss of control.
- ▶ **Do not use damaged wheels. Before each use, inspect the wheels for chips and cracks. If power tool or wheel is dropped, inspect for damage or install an undamaged wheel. After inspecting and installing the wheel, position yourself and bystanders away from the plane of the rotating wheel and run the power tool at maximum no load speed for one minute.** Damaged wheels will normally break apart during this test time.
- ▶ **Wear personal protective equipment. Depending on application, use face shield, safety goggles or safety glasses. As appropriate, wear dust mask, hearing protectors, gloves and shop apron capable of stopping small abrasive or workpiece fragments.** The eye protection must be capable of stopping flying debris generated by various operations. The dust mask or respirator must be capable of filtrating particles generated by your operation. Prolonged exposure to high intensity noise may cause hearing loss.
- ▶ **Keep bystanders a safe distance away from work area. Anyone entering the work area must wear personal protective equipment.** Fragments of workpiece or of a broken wheel may fly away and cause injury beyond immediate area of operation.
- ▶ **Hold the power tool by insulated gripping surfaces only, when performing an operation where the cutting accessory may contact hidden wiring or its own cord.** Cutting accessory contacting a "live" wire may make exposed metal parts of the power tool "live" and could give the operator an electric shock.
- ▶ **Position the cord clear of the spinning accessory.** If you lose control, the cord may be cut or snagged and your hand or arm may be pulled into the spinning wheel.
- ▶ **Never lay the power tool down until the accessory has come to a complete stop.** The spinning wheel may grab the surface and pull the power tool out of your control.
- ▶ **Do not run the power tool while carrying it at your side.** Accidental contact with the spinning accessory could snag your clothing, pulling the accessory into your body.
- ▶ **Regularly clean the power tool's air vents.** The motor's fan will draw the dust inside the housing and excessive accumulation of powdered metal may cause electrical hazards.
- ▶ **Do not operate the power tool near flammable materials.** Sparks could ignite these materials.
- ▶ **Do not use accessories that require liquid coolants.** Using water or other liquid coolants may result in electrocution or shock.

### Kickback and related warnings

Kickback is a sudden reaction to a pinched or snagged rotating wheel. Pinching or snagging causes rapid stalling of the rotating wheel which in turn causes the uncontrolled power tool to be forced in the direction opposite of the wheel's rotation at the point of the binding.

For example, if an abrasive wheel is snagged or pinched by the workpiece, the edge of the wheel that is entering into the pinch point can dig into the surface of the material causing the wheel to climb out or kick out. The wheel may either jump toward or away from the operator, depending on direction of the wheel's movement at the point of pinching. Abrasive wheels may also break under these conditions.

Kickback is the result of power tool misuse and/or incorrect operating procedures or conditions and can be avoided by taking proper precautions as given below.

- ▶ **Maintain a firm grip on the power tool and position your body and arm to allow you to resist kickback forces. Always use auxiliary handle, if provided, for maximum control over kickback or**



**torque reaction during start-up.** The operator can control torque reactions or kickback forces, if proper precautions are taken.

- ▶ **Never place your hand near the rotating accessory.** Accessory may kickback over your hand.
- ▶ **Do not position your body in line with the rotating wheel.** Kickback will propel the tool in direction opposite to the wheel's movement at the point of snagging.
- ▶ **Use special care when working corners, sharp edges etc. Avoid bouncing and snagging the accessory.** Corners, sharp edges or bouncing have a tendency to snag the rotating accessory and cause loss of control or kickback.
- ▶ **Do not attach a saw chain, woodcarving blade, segmented diamond wheel with a peripheral gap greater than 10 mm or toothed saw blade.** Such blades create frequent kickback and loss of control.
- ▶ **Do not "jam" the wheel or apply excessive pressure. Do not attempt to make an excessive depth of cut.** Overstressing the wheel increases the loading and susceptibility to twisting or binding of the wheel in the cut and the possibility of kickback or wheel breakage.
- ▶ **When wheel is binding or when interrupting a cut for any reason, switch off the power tool and hold the power tool motionless until the wheel comes to a complete stop. Never attempt to remove the wheel from the cut while the wheel is in motion otherwise kickback may occur.** Investigate and take corrective action to eliminate the cause of wheel binding.
- ▶ **Do not restart the cutting operation in the workpiece. Let the wheel reach full speed and carefully re-enter the cut.** The wheel may bind, walk up or kickback if the power tool is restarted in the workpiece.
- ▶ **Support panels or any oversized workpiece to minimize the risk of wheel pinching and kickback.** Large workpieces tend to sag under their own weight. Supports must be placed under the workpiece near the line of cut and near the edge of the workpiece on both sides of the wheel.
- ▶ **Use extra caution when making a "pocket cut" into existing walls or other blind areas.** The protruding wheel may cut gas or water pipes, electrical wiring or objects that can cause kickback.

## 2.3 Additional safety instructions

### Personal safety

- ▶ **Never tamper with or modify the tool in any way.**
- ▶ **After installing the second diamond slitting wheel, always place all the remaining spacer rings on the clamping flange.** The diamond slitting wheels can work loose in operation if the complete set of spacer rings is not installed on the clamping flange - risk of injury!
- ▶ **Ensure that the workplace is well ventilated.** Exposure to dust at a poorly ventilated workplace may result in damage to the health.
- ▶ **Before beginning the work, check the hazard classification of the dust that will be produced.** Comply with national regulations applicable to the materials you will be working with.
  - ▶ Dust from material such as paint containing lead, some wood species, minerals and metal may be harmful. Contact with or inhalation of the dust may cause allergic reactions and/or respiratory or other diseases to the operator or bystanders. Certain kinds of dust such as oak and beech wood dust are classified as carcinogenic, especially in conjunction with additives for wood conditioning (chromate, wood preservative). Working on materials hazardous to health (e.g. asbestos) is not permissible.
- ▶ **Use an industrial vacuum cleaner with an officially approved protection class in compliance with the locally applicable dust protection regulations.** We recommend using a Hilti mobile extractor for wood dust and/or mineral dust, designed for use with this power tool.
- ▶ **Use light respiratory protection when the tool is used without a dust removal system.** It is advisable to wear a filter class P2 dust mask.
- ▶ **Wear eye protection.** Flying fragments present a risk of injury to the body and eyes.
- ▶ **Always hold the power tool with both hands on the grips provided. Keep the grips dry, clean and free from oil and grease.**
- ▶ **Wear protective gloves when changing accessory tools as they get hot during use.**
- ▶ **Wear ear protectors.** Exposure to noise can cause hearing loss.
- ▶ **Take breaks between working and do relaxation and finger exercises to improve the blood circulation in your fingers.**

### Electrical safety

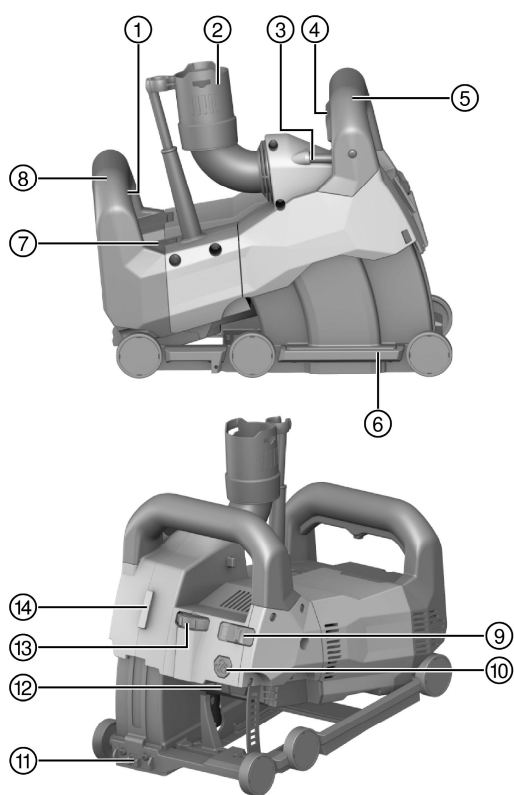
- ▶ Before beginning work, check the working area (e.g. using a metal detector) to ensure that no concealed electric cables or gas and water pipes are present. External metal parts of the power tool may become live, for example, when an electric cable is damaged accidentally. This presents a serious risk of electric shock.



- ▶ **Check the machine's electric supply cable at regular intervals and have it replaced by a qualified electrical specialist if found to be damaged.** If the power tool's supply cord is damaged it must be replaced with a specially-prepared and approved supply cord available from Hilti Service.

### 3 Description

#### 3.1 Product overview



- ① On/off switch
- ② Vacuum cleaner hose connector
- ③ Tubular bubble level
- ④ Plunge movement lockbutton
- ⑤ Front grip
- ⑥ Carriage
- ⑦ Service indicator
- ⑧ Rear grip
- ⑨ Locking switch for plunge depth
- ⑩ Carriage release button
- ⑪ Cutting line indicator
- ⑫ Spindle lock button
- ⑬ Slitting-depth adjusting knob
- ⑭ Interface for DCH-SL LG line laser

#### 3.2 Intended use

The product described is an electrically powered slitting tool for professional use.

It is designed for use with diamond slitting discs.

The machine is designed to be used with a suitable vacuum cleaner.

Optionally, the slitting tool can be combined with a line laser for projecting the line of cut on to the surface ahead.

#### 3.3 Possible misuse

Do not use the product in environments where there is a risk of explosion.

Use of the product in a damp or wet environment is not permissible.

Do not use the product to work on hazardous or flammable materials (e.g. asbestos, magnesium, wood).

Do not tamper with or attempt to make alterations to the device.

#### 3.4 Service indicator

The slitting tool has an LED service indicator.

Status	Meaning
The service indicator flashes red. The power tool cannot be switched on.	The motor has severely overheated. To restart, switch the power tool off and wait for 10 minutes. Then switch on again.



Status	Meaning
The service indicator flashes red. The power tool runs at reduced speed.	The motor has overheated. Allow the power tool to run under no load so that it can cool down quickly. When the power tool has cooled down the service indicator goes out and the motor shuts down. Restart the power tool by switching it off and then on again.
The service indicator shows red. The power tool cannot be switched on.	<ul style="list-style-type: none"> <li>The carbon brushes are worn and have to be replaced.</li> <li>The power tool is faulty.</li> </ul>
The service indicator shows red. However, the power tool is in working order.	<ul style="list-style-type: none"> <li>The carbon brush wear limit has almost been reached. You can continue working for a number of hours after the indicator first shows, before automatic cut-out is activated.</li> <li>The carbon brushes have been changed and must be run in by letting the machine run under no load for at least 1 minute without interruption, in order to achieve the optimum service life.</li> </ul>

### 3.5 Items supplied

Slitting tool, pin wrench, slitting discs, break-out tool, operating instructions.

Other system products approved for use with this product can be found at your local **Hilti Store** or at: [www.hilti.group](http://www.hilti.group)

## 4 Technical data

### 4.1 Slitting tool



For rated voltage, rated current and/or power, line frequency and rated speed, refer to the country-specific type identification plate.

<b>Weight in accordance with EPTA procedure 01</b>	7.6 kg
<b>Arbor diameter, wheel mount</b>	22.2 mm
<b>Thickness of the diamond slitting disc</b>	≤ 3 mm
<b>Diameter of the diamond slitting wheel</b>	≤ 150 mm

### 4.2 Noise information and vibration values in accordance with EN 60745

The sound pressure and vibration values given in these instructions have been measured in accordance with a standardized test and may be used to compare one power tool with another. They may be used for a preliminary assessment of exposure.

The data given represents the main applications of the power tool. However, if the power tool is used for different applications, with different accessory tools or is poorly maintained, the data may vary. This may significantly increase exposure over the total working period.

An accurate estimation of exposure should also take into account the times when the power tool is switched off, or when it is running but not actually being used for a job. This may significantly reduce exposure over the total working period.

Identify additional safety measures to protect the operator from the effects of noise and/or vibration, for example: Maintaining the power tool and accessory tools, keeping the hands warm, organization of work patterns.

#### Noise emission values

<b>Emission sound pressure level (<math>L_{pA}</math>)</b>	94 dB(A)
<b>Uncertainty for the sound pressure level (<math>K_{pA}</math>)</b>	3 dB(A)
<b>Sound power level (<math>L_{WA}</math>)</b>	105 dB(A)
<b>Uncertainty for the sound power level (<math>K_{WA}</math>)</b>	3 dB(A)



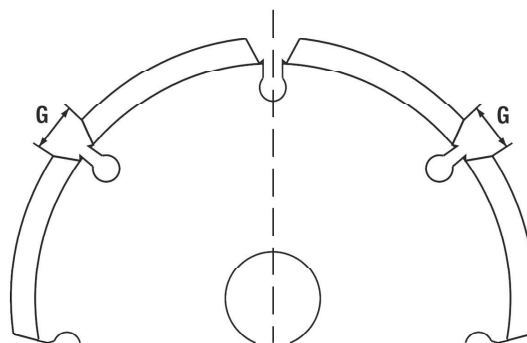
## Total vibration

Vibration emission value ( $a_{rv}$ )	4.6 m/s <sup>2</sup>
Uncertainty (K)	1.5 m/s <sup>2</sup>

### 4.3 Dimensions and format of suitable diamond slitting wheels

Diamond slitting wheels must meet the following requirements in terms of dimensions and format.

Technical data	
Slot width between segments (G)	≤ 15 mm
Cutting angle	Negative



## 5 Preparations at the workplace

### CAUTION

**Risk of injury!** Inadvertent starting of the product.

- ▶ Unplug the supply cord before making adjustments to the power tool or before changing accessories.

Observe the safety instructions and warnings in this documentation and on the product.

### 5.1 Installing diamond slitting discs

- |                          |   |
|--------------------------|---|
| ① Pin wrench             | ⑤ Clamping flange                       |
| ② Clamping nut           | ⑥ Arbor (on the slitting tool)          |
| ③ Spacer ring            | ⑦ Direction-of-rotation arrow on casing |
| ④ Diamond slitting wheel |   |

1. Lay the tool on its left side (spirit level facing up).
2. Press and hold down the carriage release button to unlock the carriage.
3. Swing the carriage out and let go the carriage release button.
4. Fit the clamping flange onto the spindle.
5. Place the first diamond slitting disc on the clamping flange. Make sure that the direction-of-rotation arrow on the slitting disc points in the same direction as the direction-of-rotation arrow on the power tool.

Comply with the instructions for selecting suitable diamond slitting discs. → page 20

6. Select the correct spacer rings for the width of the slit and place them on the clamping flange.

The width of the slit is equal to the thickness of the two diamond slitting discs and the spacer rings inserted between them. The widths of the spacer rings are 4 mm, 7 mm, 13 mm and 22.5 mm.

7. Place the second diamond slitting disc in position.

### WARNING

**Risk of injury!** The diamond slitting wheels can work loose in operation if the complete set of spacer rings is not installed on the clamping flange.

- ▶ After installing the second diamond slitting wheel, always place all the remaining spacer rings on the clamping flange.
8. Place the remaining spacer rings on the clamping flange.
  9. Press and hold down the spindle lock button.
  10. Screw on the clamping nut and tighten it securely with the pin wrench. Release the spindle lock button and remove the pin wrench.
  11. Pivot the carriage towards the body of the machine until it engages in position.





## 5.2 Connecting the vacuum cleaner

- ▶ Connect the vacuum cleaner hose to the vacuum cleaner hose connector of the slitting tool.

## 6 Types of work

### WARNING

**Damaged power cords are a safety hazard!** If the supply cord or extension cord is damaged while work is in progress, immediately disconnect the device and the cord from the electricity supply. Do not touch the damaged part of the cord.


- ▶ Regularly check all supply cords. Replace defective extension cords. Have damaged power cords replaced by a qualified specialist.

Use of a ground fault circuit interrupter (residual current device, RCD) with a maximum tripping current of 30 mA is recommended.



### 6.1 General notes on working with the slitting tool

- ▶ Select the right type of diamond slitting wheel for the material to be cut.
- ▶ If cutting performance drops, check whether the diamond slitting wheels are badly worn and need to be replaced or sharpened.
- ▶ Make vertical cuts from top to bottom by preference.
  - ▶ It is not possible to cut curves.
- ▶ Guide the slitting tool without turning or tilting it.

### 6.2 Setting the power tool to its initial position


 After installation of the diamond slitting discs or if work has been done on it, the power tool might not be in its initial position. You must set the power tool to its initial position before the slitting depth (plunge depth) is set and the power tool is switched on.

1. Make sure that the plunge movement lock button on the front grip is not pressed.
2. Hold the power tool firmly by the front grip.
3. Lift the front of the power tool until the carriage snaps into its initial position with an audible click.
  - ▶ The power tool is now in its initial position.

 To make sure that the power tool does not exit from the work surface without you noticing, you can push the locking switch to the  (locked) position. This locks the carriage at the slitting depth already reached and keeps it locked for as long as the plunge movement lock button is pressed.

### 6.3 Setting the slitting depth

1. Make sure that the power tool is in its initial position.
2. Turn the slitting-depth adjusting knob to set the desired slitting depth.

 The numbers printed on the adjusting knob show slitting depth in millimeters (mm).

### 6.4 Slitting

1. Make sure that the slitting depth is set correctly. → page 21

### WARNING

**Risk of accident!** If the power tool is not in its initial position when it is switched on, the diamond slitting wheels can come into contact with the surface underneath the power tool. If this happens it can cause you to lose control of the power tool.

- ▶ Before switching on, check that the power tool is in its initial position.



2. Position the power tool on the working surface to be slit.



The cutting line indicator indicates the direction of cut and is in line with the first (left, in the direction of cut) diamond slitting disc.

For horizontal slits: The spirit level indicates when the power tool is correctly leveled.

3. Flick the centered locking lever to the left or right. Then fully depress the ON/OFF switch and hold it in this position.
4. Press and hold down the plunge movement lock button integrated into the front grip.



To ensure optimum performance, wait until the diamond slitting discs have reached full speed before bringing them into contact with the material to be cut.

5. Apply reasonable pressure to the front grip to slowly plunge-cut into the material to the preset slitting depth.

#### **ATTENTION**

**Risk of damage!** Excessive forward pressure and slow slitting progress can result in irreparable thermal damage to the diamond slitting discs.

- ▶ If cutting performance drops, check whether the diamond slitting discs are badly worn and need to be replaced or sharpened.

6. Guide the machine with both hands, applying reasonable pressure in the cutting direction.



Applying excessive forward pressure can cause the motor to stall.

7. Release the ON/OFF switch when you want to interrupt or end the slitting operation.

#### **WARNING**

**Risk of injury!** Protruding diamond slitting discs are a safety hazard.

- ▶ Before lifting the power tool clear, release the plunge movement lock button to lock the power tool in its initial position.

8. Release the plunge movement lock button integrated into the front grip and, without twisting or tilting it, lift the power tool clear of the work surface.

## 7 Care and maintenance

#### **WARNING**

**Electric shock hazard!** Attempting care and maintenance with the supply cord connected to a power outlet can lead to severe injury and burns.

- ▶ Always unplug the supply cord before carrying out care and maintenance tasks.

#### **Care**

- Carefully remove stubborn dirt from the tool.
- Clean the air vents carefully with a dry brush.
- Use only a slightly damp cloth to clean the casing. Do not use cleaning agents containing silicone as they can attack the plastic parts.

#### **Maintenance**

#### **WARNING**

**Danger of electric shock!** Improper repairs to electrical components may lead to serious injuries including burns.

- ▶ Repairs to the electrical section of the tool or appliance may be carried out only by trained electrical specialists.
- Check all visible parts and controls for signs of damage at regular intervals and make sure that they all function correctly.
  - Do not operate the product if signs of damage are found or if parts malfunction. Have it repaired immediately by **Hilti Service**.
  - After cleaning and maintenance, fit all guards or protective devices and check that they function correctly.



**i** To help ensure safe and reliable operation, use only genuine Hilti spare parts and consumables. Spare parts, consumables and accessories approved by Hilti for use with the product can be found at your local **Hilti Store** or online at: [www.hilti.group](http://www.hilti.group).

## 7.1 Replacing the carbon brushes

### **DANGER**

**Risk of injury!** Risk of electric shock.

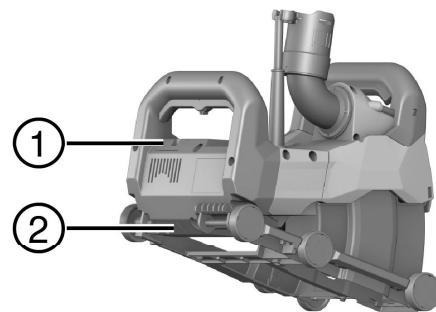
- ▶ The power tool may be operated, serviced and repaired only by trained, authorized personnel. This personnel must be specially informed of any possible hazards.

**i** The service indicator lights up when the carbon brushes need to be replaced. Diagrams on the inside of the carbon-brush covers show the correct direction of installation and routing of the wires. Always change all the carbon brushes at the same time.

1. Disconnect the slitting tool from the electricity supply.
2. Remove the top and bottom carbon-brush covers from the rear of the power tool.
3. Take note of how the carbon brushes are fitted and how the wires are routed.
4. Disconnect the wires, ease the springs aside and remove the worn carbon brushes from the slitting tool.
5. Fit the new carbon brushes, positioning them exactly the same as the old ones fitted previously. Take care to avoid damaging the insulation on the indicator lead as you insert the brushes.
6. Use only these genuine replacement carbon-brush sets:

#### Spare-part numbers of the carbon-brush sets

Voltage range	Spare-part number
110 V ... 127 V	2120033
220 V ... 240 V	2006843



- ① Top carbon-brush cover
- ② Bottom carbon-brush cover

7. Reinstall the two carbon-brush covers.
8. After replacing the carbon brushes, run the slitting tool uninterruptedly for at least 1 minute without load.
  - ▶ The indicator lamp goes out after approx. 1 minute's operation.

**i** If the minimum running-in time of one minute is not observed, the life of the carbon brushes will be greatly reduced.

## 8 Transport and storage

### Transport

- ▶ Make sure that the equipment is held securely throughout all transport operations.
- ▶ After transporting, always check all visible parts and controls for signs of damage and make sure that they all function correctly.

### Storage

- ▶ Always store this product with the electric supply cable unplugged from the electricity supply.
- ▶ Store this product in a dry place, where it cannot be accessed by children or unauthorized persons.
- ▶ After a long period of storage, always check all visible parts and controls for signs of damage and make sure that they all function correctly.

## 9 Troubleshooting

If the trouble you are experiencing is not listed in this table or you are unable to rectify the problem by yourself, contact **Hilti Service**.

